

SMOOTH OPENER

Sliding plates in door and window hinges | Building & Construction, mechanical engineering

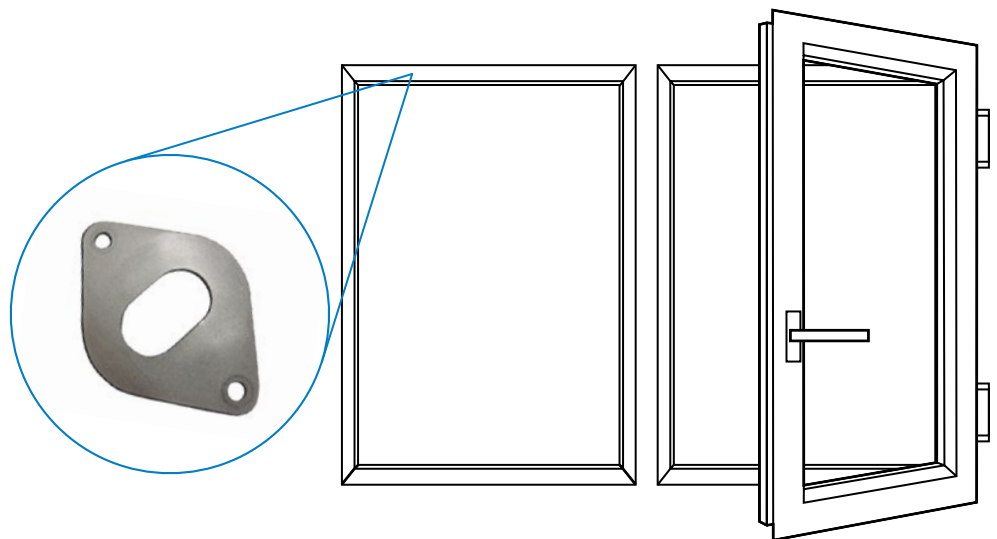
PRODUCT USED

KS Permaglide® KS-P11
Material: KS-P11

The sliding plates or rails reduce the friction of the axial door hinges. Translational and rotational motion occurs. While the metal backing absorbs the flow of force, the dry-running PTFE ensures a maintenance-free, long-lasting solution.

FUNCTION

The hinge elements slide effortlessly and smoothly on the facing surface regardless of weather conditions.



DEMANDS

The hinge elements must withstand permanent loads caused by translational and rotational movements. In addition, the sliding plates can be exposed to dirt and moisture and must meet increased requirements with regard to corrosion resistance.

ADVANTAGES OF KS PERMAGLIDE® E.G. KS-P11

- Maintenance-free
- Robust and resilient
- Very clean
- Small footprint
- Corrosion-resistant

CONTACT

info@de.rheinmetall.com

Phone: +49 62 27-5 60

KS Gleitlager GmbH assumes no liability for the completeness and correctness of the information in this material brochure. It is the exclusive responsibility of the customer to form an opinion on the properties of the material and its usability for the purposes intended by the customer. KS Gleitlager GmbH further points out that all information in the material brochure does not legally constitute a guarantee of quality or a warranty of properties. 1019. Made in Germany.