



SOLIDSTEERING

Ball head in steering linkages | Agricultural machinery

PRODUCT USED

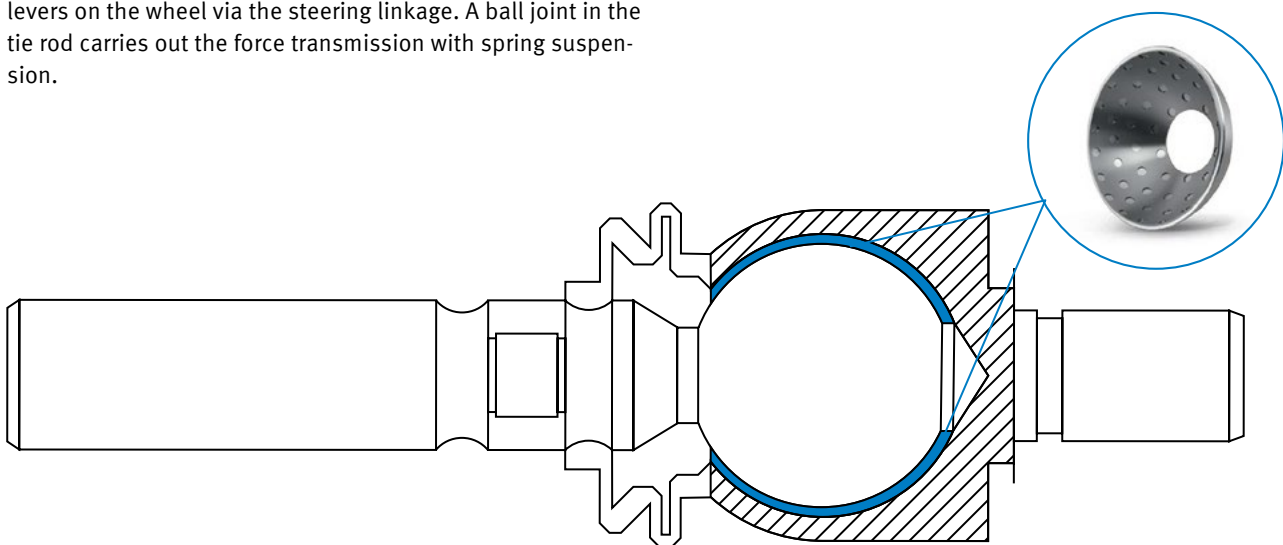
KS Permaglide® plain bearing spherical shell design
PAX ... P-20
Material: Permaglide® KS-P20

FUNCTION

The steering system of a tractor is connected to the steering levers on the wheel via the steering linkage. A ball joint in the tie rod carries out the force transmission with spring suspension.

DEMANDS

The bearings of the ball joint are constantly subjected to the influences of dirt, moisture, temperature fluctuations and vibrations with heavy impacts under extremely harsh operating conditions. No play may occur in the ball joint over the entire service life. The ball joint should be maintenance-free over the entire service life.



BEARING WITH KS PERMAGLIDE® PLAIN BEARING SPHERICAL DESIGN PAX ... P20

The bearing with KS Permaglide® plain bearing spherical shells design PAX ... P20 fulfils these requirements and guarantees precise guidance over the long-term despite all these influences. The high wear resistance of the KS Permaglide® plain bearings ensures that the ball joints have a long service life.

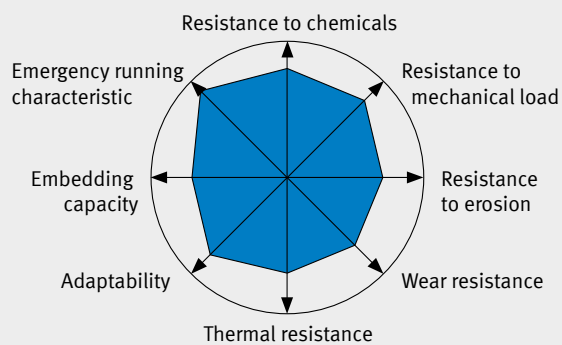
The plain bearings used are rigid and free from play thanks to their multi-layer composite system. The sliding surface also has oil distributing pockets and is initially lubricated to guarantee maintenance-free, low friction values over the entire service life. The bearing is protected from dirt with a rubber sleeve.

ADVANTAGES OF KS PERMAGLIDE® P20 PLAIN BEARINGS

- High wear resistance
- Insensitivity to shocks and impacts
- Highly stressable
- Free-of-play bearing
- Resistant to moisture, no swelling tendency
- Low frictional losses, meaning hardly any loss of power on the steering system
- High damping performance
- Maintenance-free with initial lubrication

Characteristic profile KS Permaglide®

P2 PVDF based, mineral reinforced



■ KS Permaglide® P2 PVDF based, mineral reinforced

DESCRIPTION OF MATERIAL

KS Permaglide® P20 is a low-maintenance, high-performance leaded bearing material. The material is designed for grease-lubricated or liquid-lubricated applications. This composite, multi-layered material excels thanks to its high rigidity, durability and resistance to oscillation and vibration. These characteristics are largely achieved by a sliding layer system made of polyvinylidene fluoride (PVDF), polytetrafluoroethylene (PTFE) and lead. The wear-resistant material has already proven itself many times in industry.

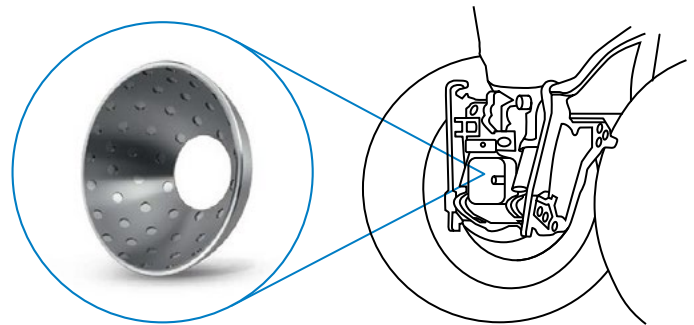
The standard P20 version features oil distributing pockets as per DIN ISO 3547. The bearings are provided ready to install for recommended connection-design installation dimensions. Also available are versions with a different wall thickness, suitable for rework when installed, or with a smooth sliding surface for hydrodynamic applications.

REFERENZEN

John Deere

Kverneland

...



CONTACT

info@de.rheinmetall.com

Phone: +49 62 27-5 60

KS Gleitlager GmbH assumes no liability for the completeness and correctness of the information in this material brochure. It is the exclusive responsibility of the customer to form an opinion on the properties of the material and its usability for the purposes intended by the customer.

KS Gleitlager GmbH further points out that all information in the material brochure does not legally constitute a guarantee of quality or a warranty of properties.

1019. Made in Germany.